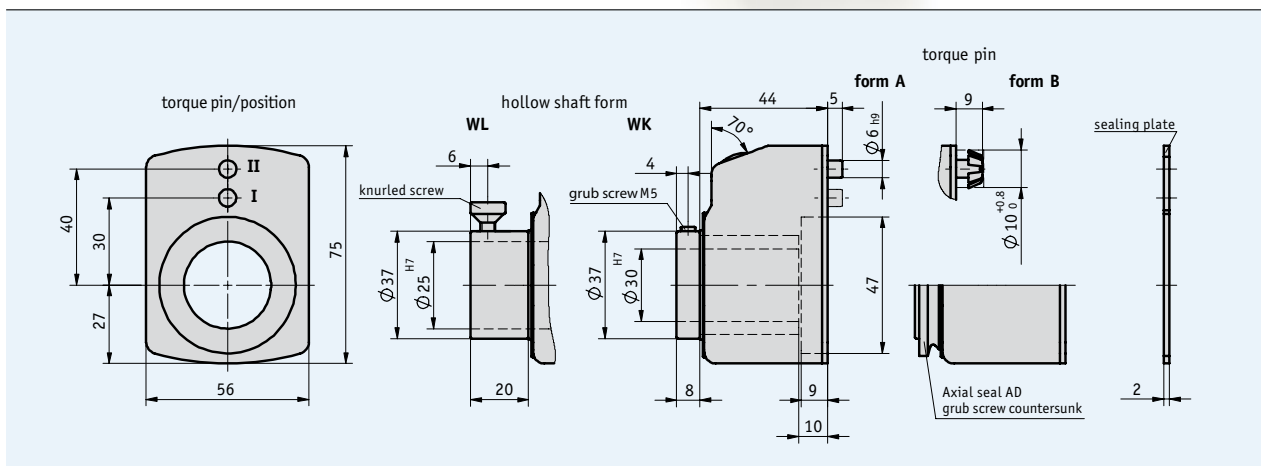


Profile

- Designed for large diameters
- Hollow shaft, max. Ø 30 mm
- Counter with 5 decades and fine reading
- Display can be designed for "mm" or "inch"
- Magnifying function for perfect readability
- Stainless-steel driving shaft as an option
- Axial seal, dustproof and hose-proof



Mechanical data

Feature	Technical data	Additional information
Counter	5 decades, fine reading	
Digit height	approx. 7 mm	
Housing	plastic, reinforced	
Weight	0.1 kg	
Ambient temperature	max. +80 °C	

■ Max. speed

Indication after 1 st revolution	Max. speed (rpm)
00010	500 (1500)
00015	500 (1000)
00020	500 (750)
00025	500 (600)
00030	500
00040	375
00050	300
00060	250
00080	180
00100	150

$$\text{Formula for max. speed} = \frac{15\,000}{\text{Indication after 1}^{\text{st}} \text{ revolution}}$$

! Speeds >500 rpm must only be run for short periods.

Scope of delivery: DA10

Accessories:
Reducing bushes

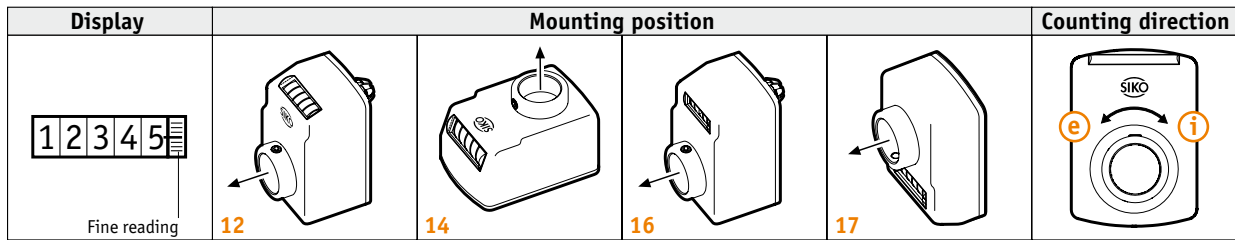
Page 106

Additional information:
General information and areas of application

Page 8 cont.

Order

Design



Note: Characters highlighted in orange are order features

Order table

Feature	Order text	Specification	Additional information
Design/mounting position	... A	12, 14, 16, 17	see icons illustrating the mounting position
Indication after 1 st revolution	... B	6/5, 10, 15, 17/5, 20, 25, 30, 39/4, 40, 50, 60, 80, 100 others on request	/5 = arithmetical value not displayed
Decimal place	0 1 2 3 4	C 0 = 00000 1 = 0000.0 2 = 000.00 3 = 00.000 4 = 0.0000	
Counting direction = ascending values	i e	D clockwise counter-clockwise	
Hollow shaft/diameter (mm)	... VA30 ...	E 25, 30 ∅ 30 mm RH10, RH12, RH14, RH16, RH20, RH25	stainless steel reducing bush
Hollow shaft/form	WK WL	F short hollow shaft long hollow shaft	
Torque support/form	A B	G form A form B for tolerance compensation	
Torque support/position	I II	H position I position II	
Housing color	O S	I orange RAL 2004 black RAL 9005	
Window	K M OS	K plastic mineral glass without window	
Axial seal	OAD AD	L without axial seal with axial seal	see technical details
Sealing plate	BP GK	M provided with the accessories pack glued	

Order code

DA10 - - - - - - - - - - - - -

A B C D E F G H I K L M