

Magnetic Display MA503AS



Features:

- low-power LCD
- strip/sensor gap up to 2,0 mm
- battery-powered
- quasi-absolute by battery-buffered memory
- 0,1 mm decimal display accuracy
- sensor MS500H pluggable

SIKO GmbH

Address
 Weihermattenweg 2
 79256 Buchenbach

Telephone
 +49 7661 394-0

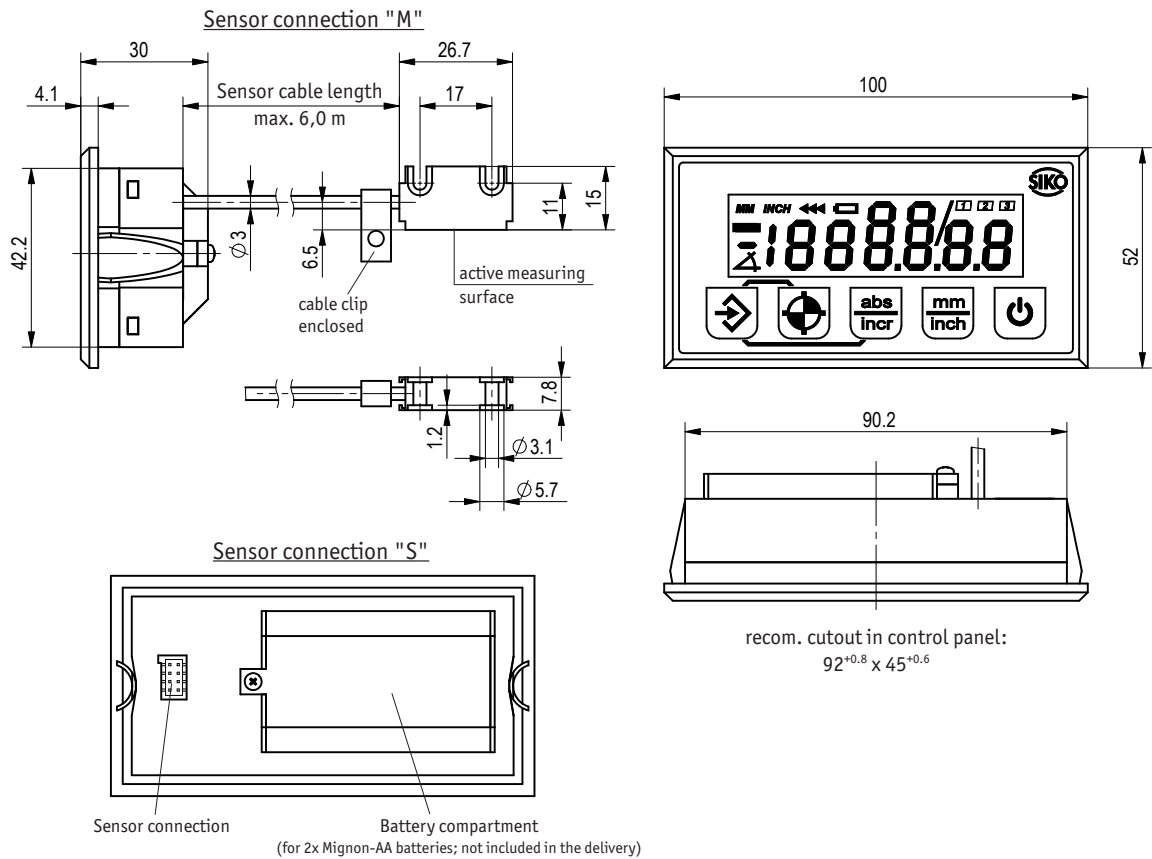
Fax
 +49 7661 394-388

eMail
 info@siko.de
Internet
 www.siko.de

Feature	Order text	Additional information
Sensor connection	M	fix mounted
	S	pluggable
Sensor cable length (m)	0,3 - 6,0	

Your ordering: - -

Magnetic Display MA503AS



Technical data

Mechanical data:

Housing front	SMMA
Housing battery compartment/clip	POM
Weight	ca. 70 g

Electrical data:

Power supply	3 VDC
Power consumption	220 μ A @3 VDC
Display range decimal	-1999999 ... 1999999 (figure height 13 mm)
Low Batt display	<1,1 V
Protection class	3 IEC61000
Test mark	CE

Environmental conditions:

Operating temperature	0 °C ... +60 °C
Storage temperature	-30 °C ... +80 °C
Humidity	max. 95 % rF condensation not permitted
Type of protection	IP40 complete device IP54 from the front side

System data, resolution and accuracy:

Suitable magnetic tape	MB500 / MR500 / MBR500
Resolution	max. 0,01 mm, programmable
Pol length	5 mm
System accuracy	$\pm(0,1 + 0,01 \times L)$ mm, L in m
Repeat accuracy	± 1 Digit, max. 0,01 mm
Travel speed	5 m/s
Sensor/magnetic strip gap	max. 2,0 mm; lateral misalignment $\pm 2,0$ mm

Accessory:

2x hexagon socket head cap screw	(ISO 4762-M3x14) separately enclosed
2x lock washer	(3 DIN 7980) separately enclosed
strain relief for sensor cables	separately enclosed

Additional information